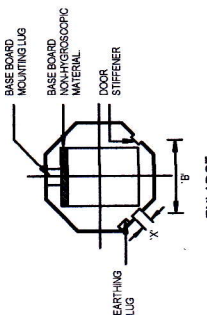
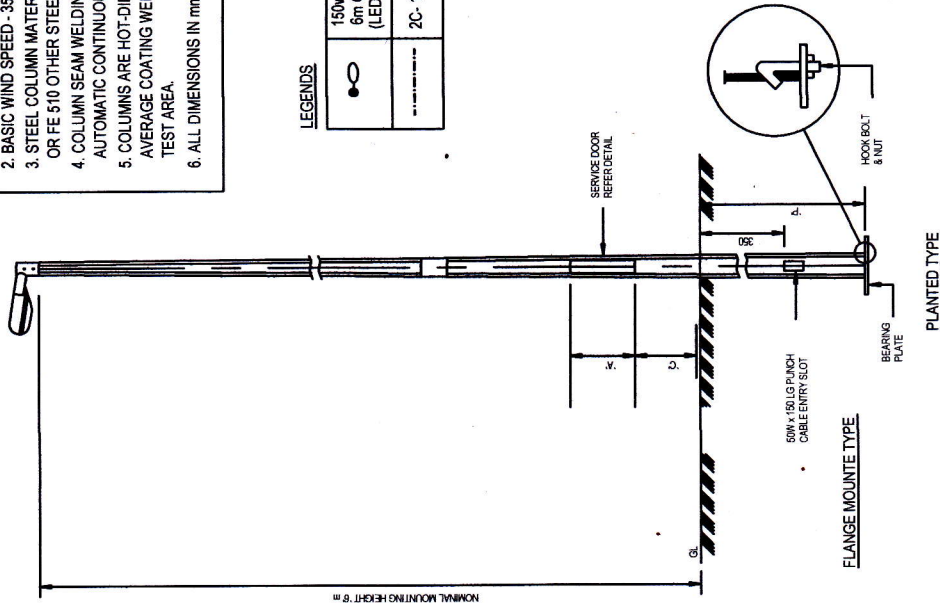


**TECHNICAL INFORMATION**

1. COLUMN DESIGN CONFORMS TO BS 5649
2. BASIC WIND SPEED - 35m/s
3. STEEL COLUMN MATERIAL CONFORMS TO BS EN 10025 FE 430 OR FE 510 OTHER STEEL ACCESSORIES CONFORMS TO FE 360.
4. COLUMN SEAM WELDING CONFORMS TO BS 5135 : 1984 BY AUTOMATIC CONTINUOUS WELDING PROCESS.
5. COLUMNS ARE HOT-DIP GALVANISED TO BS 729 WITH MINIMUM AVERAGE COATING WEIGHT OF 460 g/m<sup>2</sup> FOR ANY INDIVIDUAL TEST AREA.
6. ALL DIMENSIONS IN mm UNLESS INDICATED OTHERWISE.

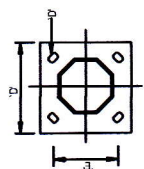
**LEGENDS**

	150mm SON COMPOUND LIGHT ON 6m GALVANISEN STEEL POLE (LED) TYPE
	2C-16mm PVC/SWAPVC

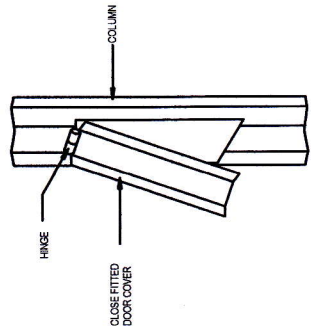


ENLARGE SECT B-B

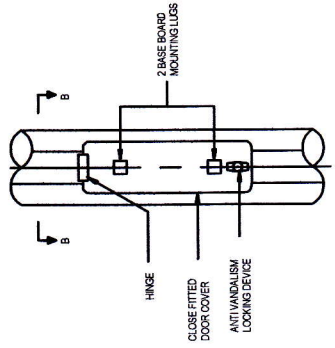
DOOR COVER TO BE MECHANICALLY FLUSH AND THE CLEARANCE 'X' AROUND DOOR SHOULD NOT EXCEED 1mm



SECT C-C BASE FLANGE



HINGED DOOR ISOMETRIC VIEW



HINGED SERVICE DOOR

**PELAN BUTIRAN PEMASANGAN TIANG LAMPU JENIS PLANTED (LED)**

SYARIKAT AIR NEGERI SEMBILAN  
 UNIT KEKAWANAN (M&M)  
 NO. 14, JALAN ALAM, 71700 SEMBILAN  
 NEGERI SEMBILAN, NEGERI SEMBILAN  
 Tel : 06-768 2000 / 06-768 2001  
 Fax : 06-768 2002

DESKRIPSI : ANJUR	SKALA : N:1.5
TARIKH : JUN 2012	DISEKAI OLEH : AZRIL
NO. RUK : SAINS/MAE/STANDARD/PLANTHOUSE/2012-05	